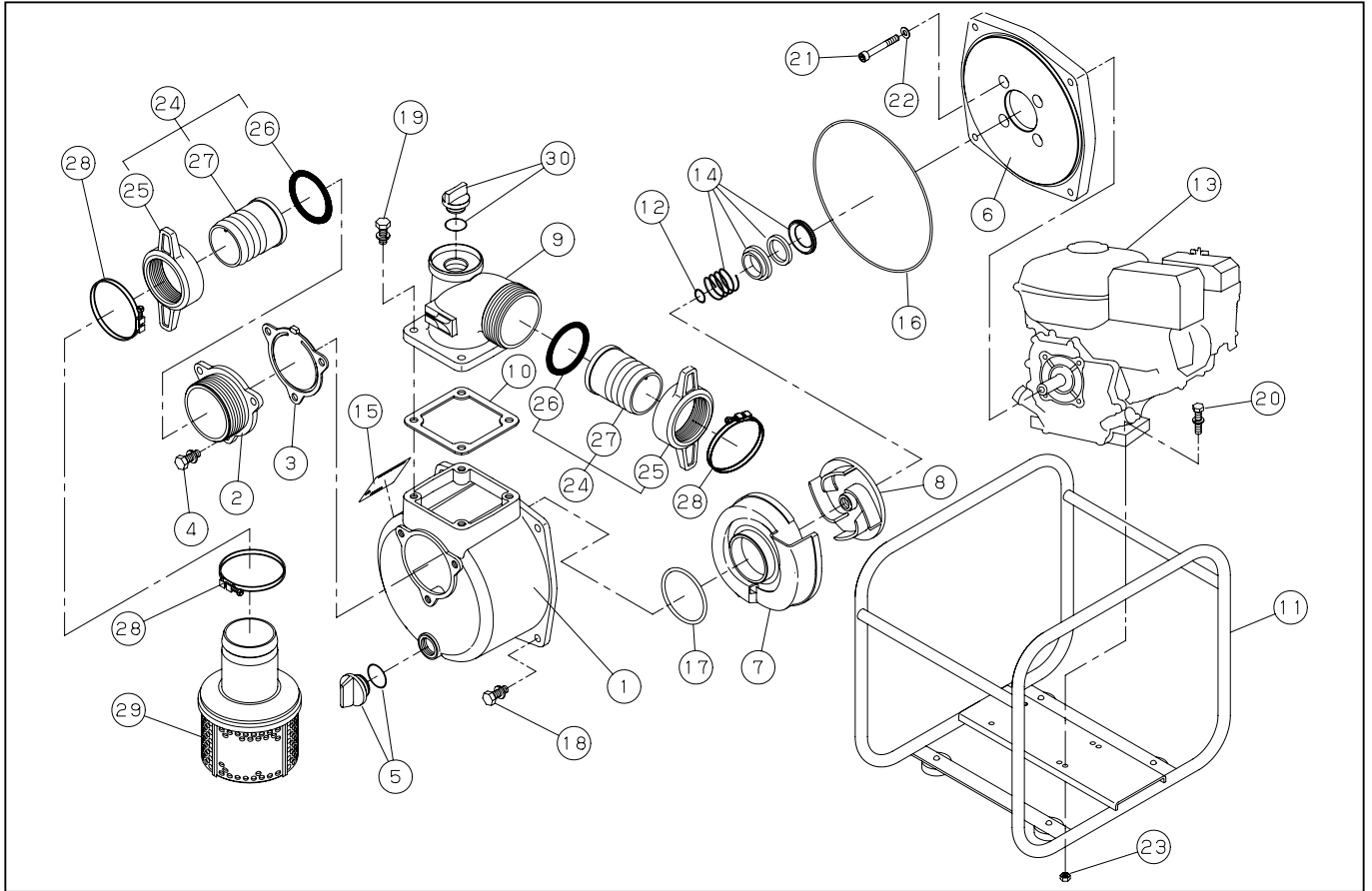


**SERH-50B**

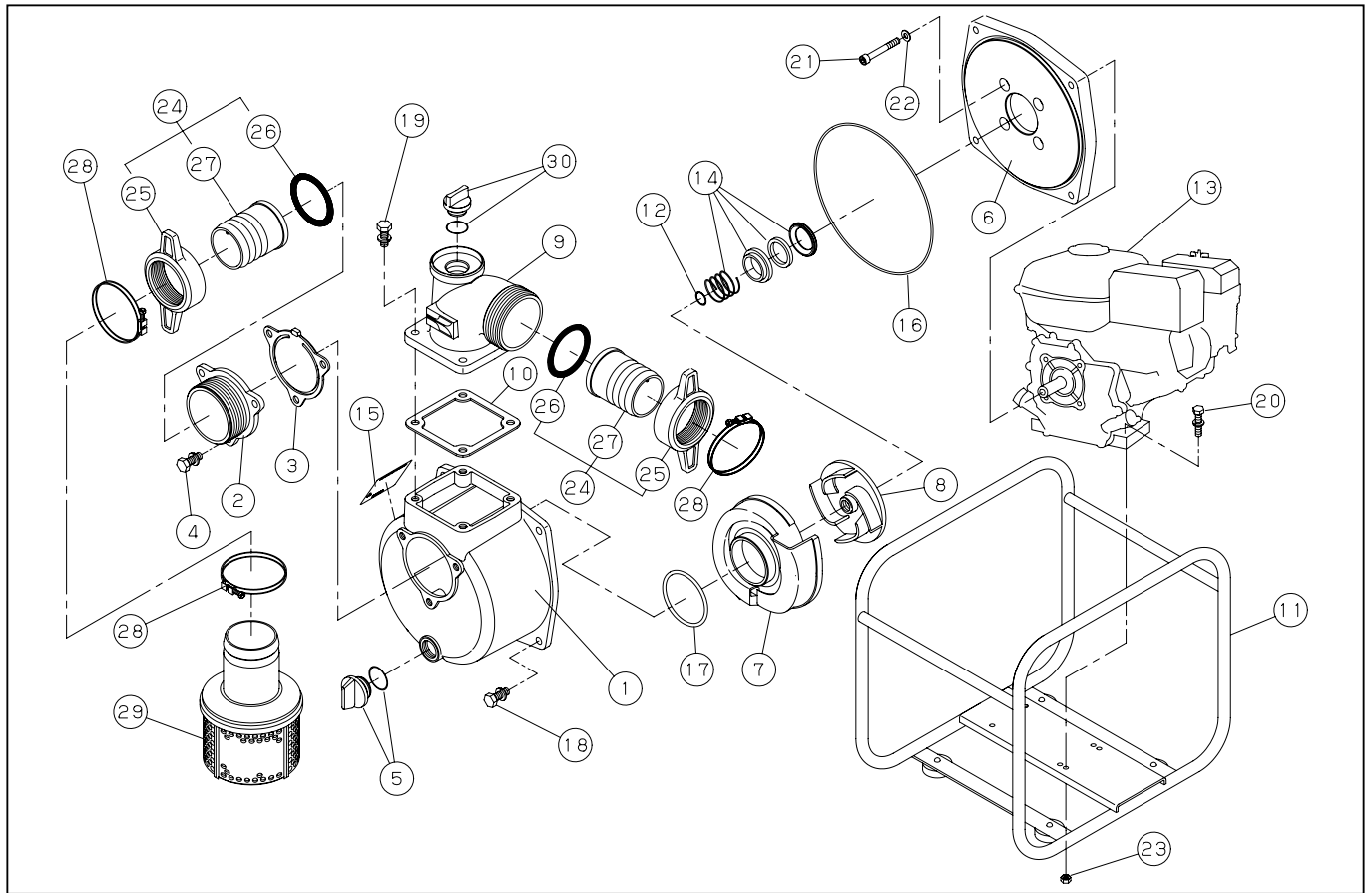


DWG No.011956911 MODEL:SERH-50B (GX160) FORM:SERH-50B-BAB-2

No.	PARTS CODE	PARTS NAME	QTY	MATERIAL	SIZE	REMARKS
1	011418402	PUMP CASING	1	ADC		
2	011400301	SUCTION FLANGE	1	ADC		
3	011279901	CHECK VALVE	1	NBR		
4	743119061	HEXAGON BOLT	3	SWRM	M10X25	
5	011807901	25A PLUG SET	1			
6	011056802	FLANGE BRACKET	1	ADC		
7	011281803	VOLUTE CASING	1	FC		
8	011286101	IMPELLER	1	FC		
9	011420901	DELIVERY FLANGE	1	ADC		
10	011058402	DELIVERY FLANGE PACKING	1	CR		
11	011704301	BASE SET	1			
12	011049101	IMPELLER ADJUSTING WASHER	3	BSP		
13	011429302	HONDA ENGINE	1	GX160K1WMBO		
14	011086302	MECHANICAL SEAL	1	HG9A-MN (H)	φ 20	
15	011539303	NAME PLATE	1			
16	011501601	O-RING	1	NBR	1517-51.5	
17	011398901	O-RING	1	NBR	P74	
18	743119078	HEXAGON BOLT	4	SWRM	M12X30	
19	743119063	HEXAGON BOLT	4	SWRM	M10X30	
20	743119053	HEXAGON BOLT	4	SWRM	M8X40	
21	734532076	HEXAGON SOCKET BOLT	4	SCM	M8X60	
22	854255008	SEAL WASHER	4		φ 8	
23	827419008	HEXAGON NUT	4	SWRM	M8	
24	011702602	COUPLING SET	2	ABS		
25	011339002	COUPLING	2	ABS		
26	011339101	COUPLING PACKING	2	NBR		
27	011035605	HOSE NIPPLE	2	ABS		
28	940019060	HOSE BAND	3		φ 60	
29	011804703	STRAINER SET	1			
30	011807802	20A PLUG SET	1			

◆ Bare engine can not be supplied

# SERH-50B



DWG No.011956911 MODEL:SERH-50B (GX160) FORM:SERH-50B-BAB-2

No.	PARTS CODE	PARTS NAME	QTY	MATERIAL	SIZE	REMARKS
	011453906	PACKING CASE	1			
	011476909	CE OPERATION MANUAL (5LANGS)	1			
	011471302	CAUTION LABEL	1			
	011471806	CE MARK LABEL	1			
	011482009	DECLARATION	1			
	011643401	EU NOISE LABEL (108)	1			

◆ Bare engine can not be supplied