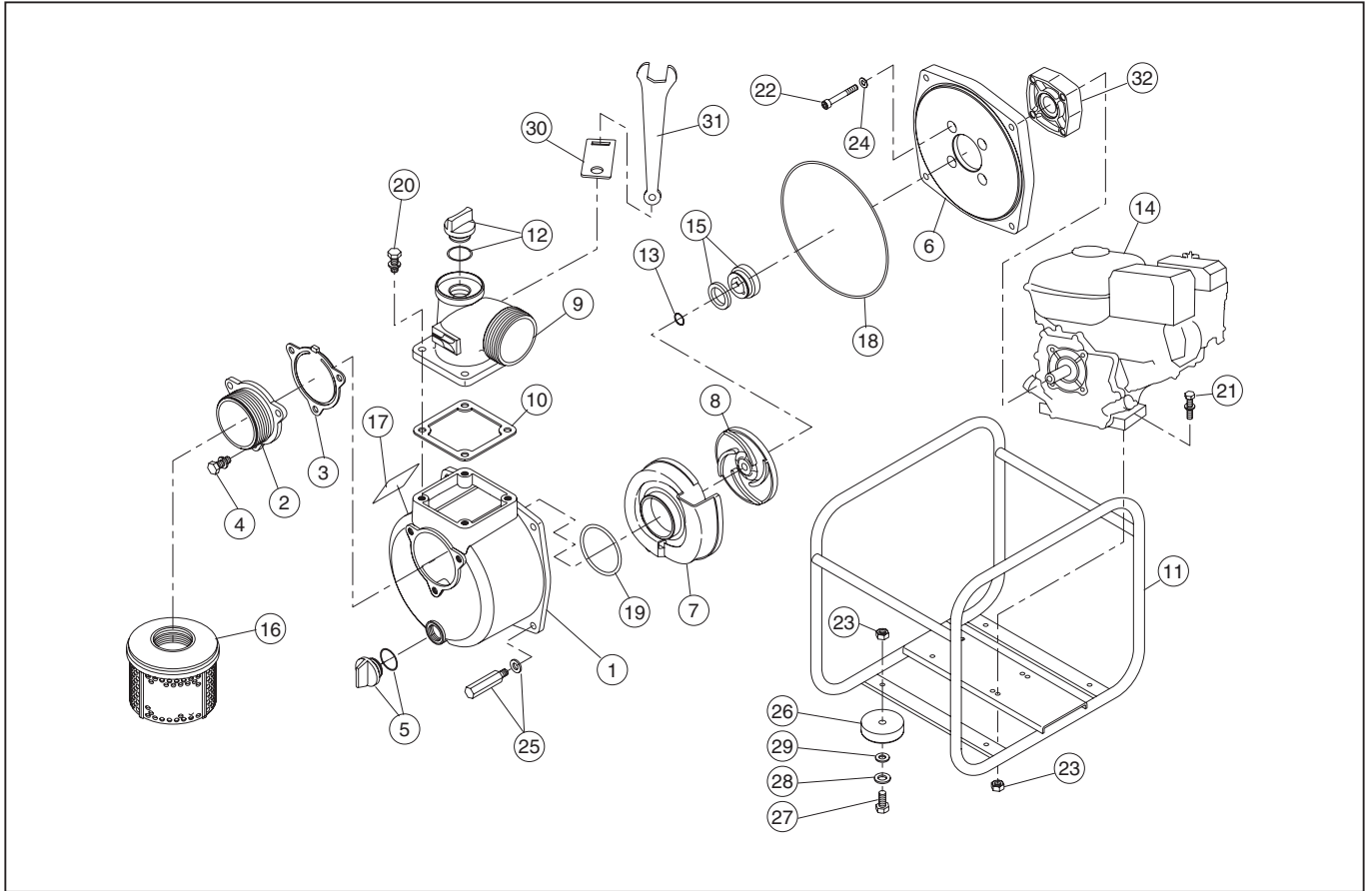


# SEH-80T



DWG No. 012853306 MODEL:SEH-80X FORM:SEH-80X-BCF

| No. | PARTS CODE | PARTS NAME             | QTY | MATERIAL          | SIZE      | REMARKS |
|-----|------------|------------------------|-----|-------------------|-----------|---------|
| 1   | 012019601  | Pump Casing            | 1   | ADC               |           |         |
| 2   | 011287601  | Suction Flange         | 1   | ADC               |           |         |
| 3   | 011279901  | Check Valve            | 1   | NBR               |           |         |
| 4   | 743119061  | Bolt M10X25            | 3   | SWRM              | M10X25    |         |
| 5   | 011807802  | 20A Plug Set           | 1   |                   |           |         |
| 6   | 011526902  | Flange Bracket         | 1   | ADC               |           |         |
| 7   | 011554101  | Volute Casing          | 1   | FCD               |           |         |
| 8   | 011553901  | Impeller               | 1   | FCD               |           |         |
| 9   | 011136103  | Delivery Flange        | 1   |                   |           |         |
| 10  | 011058402  | Flange Packing         | 1   | CR                |           |         |
| 11  | 011743401  | Base Set               | 1   |                   | NO.310    |         |
| 12  | 011807901  | 25A Plug Set           | 1   |                   |           |         |
| 13  | 011049102  | Adjusting Washer       | 3   | BSP               |           |         |
| 14  | 011430302  | Engine(With Oil Alert) | 1   | HONDA GX160U1WKT2 | CE · USA  |         |
| 15  | 011515902  | Mechanical Seal        | 1   |                   |           |         |
| 16  | 011189401  | Strainer               | 1   | SPC               |           |         |
| 17  | 011559702  | Name Plate             | 1   | T FILM            |           |         |
| 18  | 011501501  | O-Ring 1517-46.5       | 1   | NBR               | 1517-46.5 |         |
| 19  | 011398901  | O-Ring P74             | 1   | NBR               | P74       |         |
| 20  | 743119063  | Bolt M10X30            | 4   | SWRM              | M10X30    |         |
| 21  | 743119053  | Bolt M8X40             | 4   | SWRM              | M8X40     |         |
| 22  | 734532076  | Bolt M8X60             | 4   | SCM               | M8X60     |         |
| 23  | 827419008  | Nut M8                 | 8   | SWRM              | M8        |         |
| 24  | 854255008  | Seal Washer $\phi$ 8   | 4   |                   | $\phi$ 8  |         |
| 25  | 011554201  | Long Bolt M10X160      | 4   |                   | M10X160   |         |
| 26  | 011734501  | Cushion Rubber Set     | 1   |                   |           |         |
| 27  | 735719148  | Bolt M8X20             | 4   |                   | M8X20     |         |
| 28  | 843822008  | Spring Washer $\phi$ 8 | 4   |                   | $\phi$ 8  |         |
| 29  | 846007008  | Washer $\phi$ 8        | 4   |                   | $\phi$ 8  |         |
| 30  | 011558801  | Spanner Holder 17mm    | 1   |                   |           |         |

◆ Bare engine can not be supplied