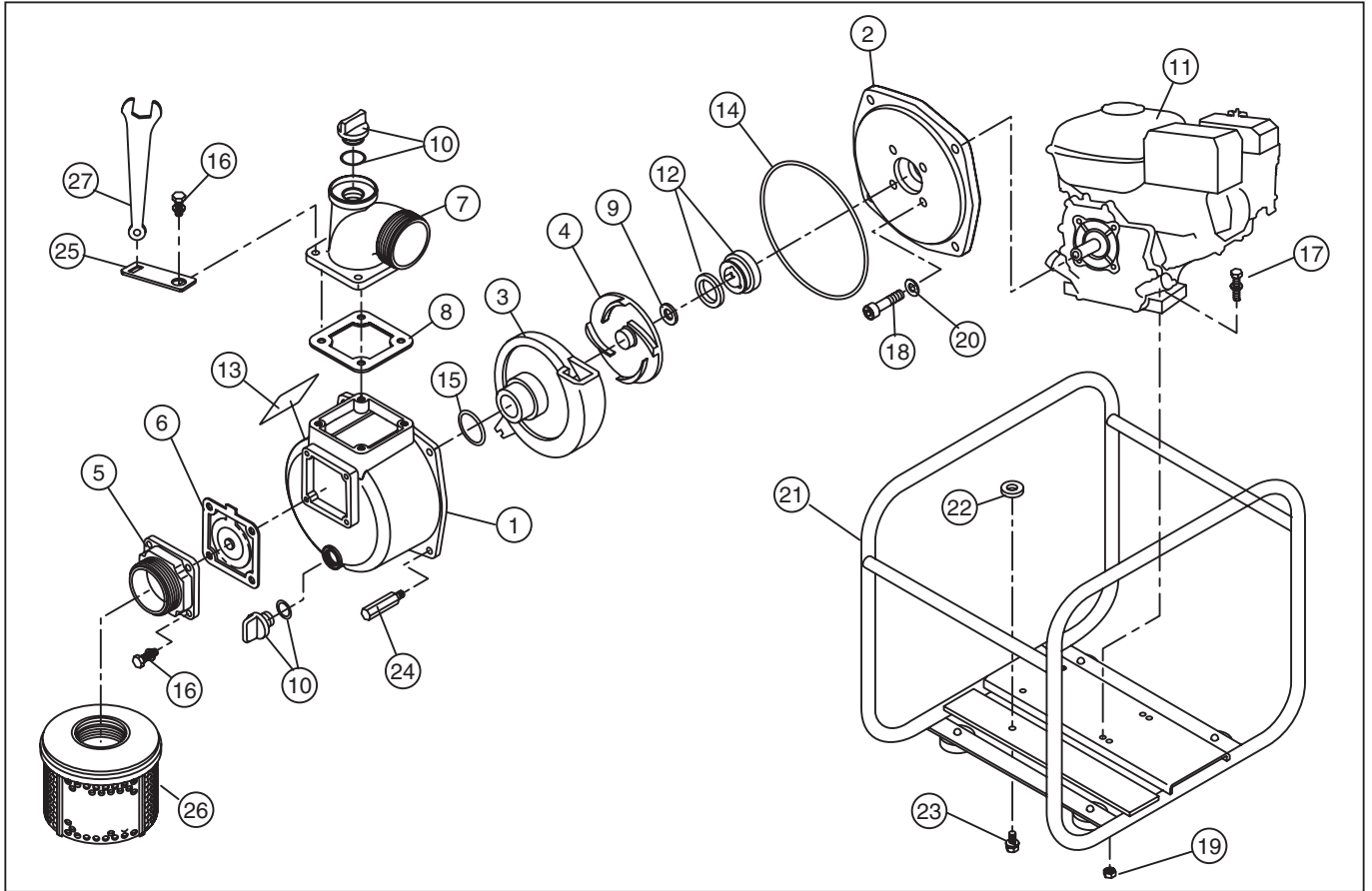


SEH-100T



DWG No. 012897102 MODEL:SEH-100T FORM:SEH-100T-BAC

No.	PARTS CODE	PARTS NAME	QTY	MATERIAL	SIZE	REMARKS
1	011569101	Pump Casing	1	ADC		
2	011576301	Flange Bracket	1	ADC		
3	012060001	Volute Casing	1			
4	012059901	Impeller	1			
5	011136502	Suction Flange	1			
6	011736301	Check Valve Set	1			
7	011615101	Delivery Flange	1	ADC + SHOT		
8	011075002	Flange Packing	1	CR		
9	011008101	Adjusting Washer	3		T0.3	
10	011807901	25A Plug Set	2			
11	011573803	Engine (With Oil Alert)	1			
12	011567802	Mechanical Seal	1			
13	012071801	Name Plate	1			
14	890455080	O-Ring 1516-80	1	NBR	1516-80	
15	889855090	O-Ring P90	1	NBR	P90	
16	743119080	Bolt M12X35	8	SWRM	M12X35	
17	743119067	Bolt M10X40	4	SWRM	M10X40	
18	734532078	Socket Bolt M8X70	4	SCM	M8X70	
19	827419010	Nut M10	4	SWRM	M10	
20	854255008	Seal Washer Φ 8	5		ϕ 8	
21	011751904	Base Set	1	NO.328		
22	011592301	Rubber Mount	1		26X12X5	
23	743119043	Bolt M8X16	1		M8X16	
24	012060101	Long Bolt M12	4			
25	012060201	Spanner Holder	1			
26	012066701	Strainer	1			
27	012060301	Spanner	1			

◆ Bare engine can not be supplied