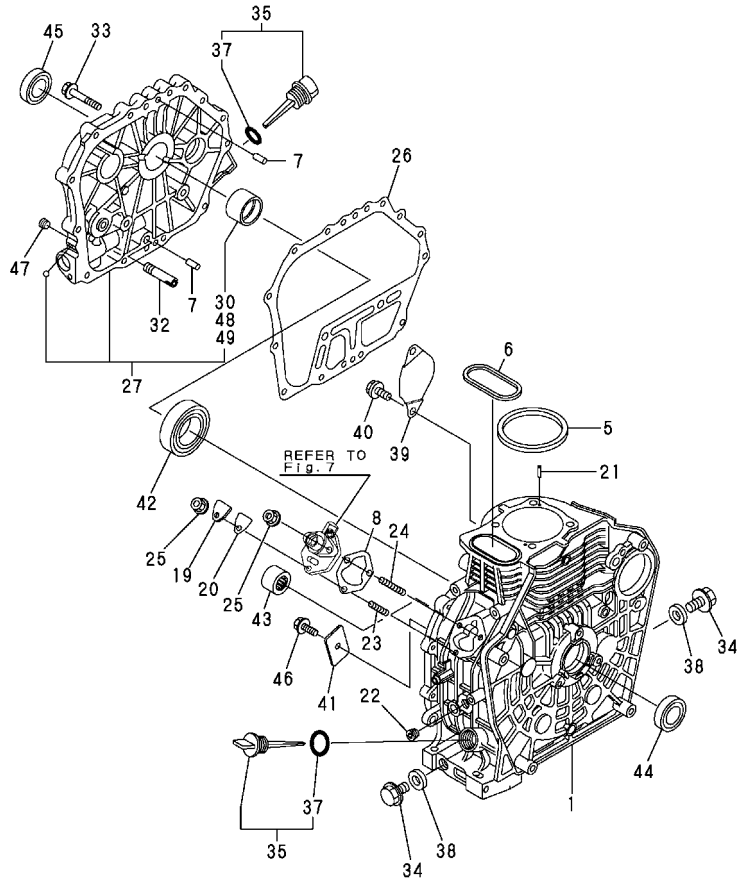


Fig.1. CYLINDER BLOCK



(A)=L100N6-MTM  
(B)=L100N6-METMR  
(C)=

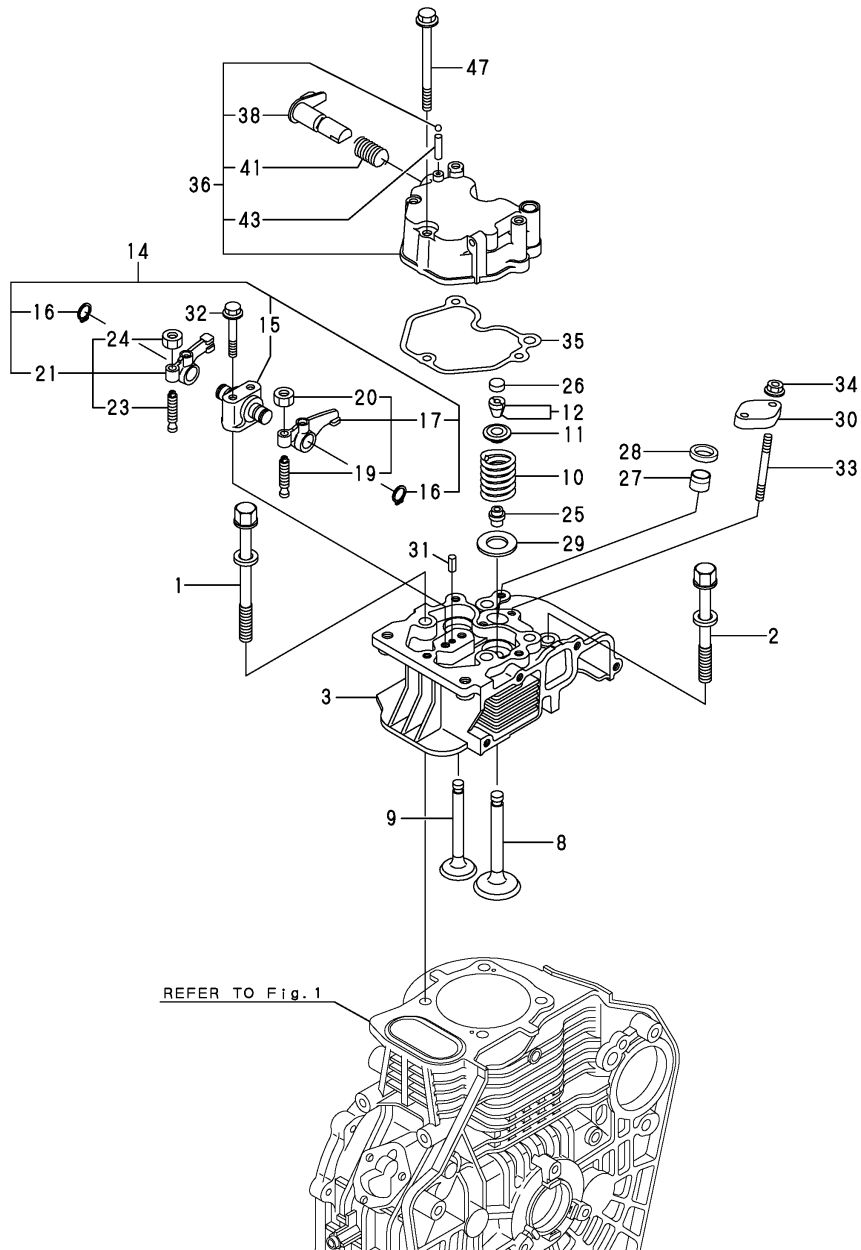
(D)=  
(E)=  
(F)=

REF.	LEV.	PARTS NO.	DESCRIPTION	Q'TY						I	R
				(A)	(B)	(C)	(D)	(E)	(F)		
1	1	114310-01020	BLOCK ASSY, CYLINDER	1	1						
5	1	114651-01340	GASKET, HEAD 0.5	1	1						
6	1	114650-01380	O-RING, TAPPET	1	1						
7	1	114270-01600	PIN, 8X12	2	2						
8	1	114250-01800	SHIM SET, F.I.PUMP	1	1						
19	1	114250-01830	COVER, CHECK HOLE	1	1						
20	1	114250-01841	GASKET, COVER	1	1						
21	1	22312-040080	PIN, 4 X 8	2	2						
22	1	23875-020000	PLUG, R02	1	1						
23	1	26226-060182	STUD,BOLT 6 X 18	1	1						
24	1	26226-060222	STUD,BOLT 6 X 22	2	2						
25	1	26366-060002	NUT, 6	3	3						
26	1	114650-01412	GASKET, CRANK CASE	1	1						
27	1	114310-01450	COVER(D, CRANK CASE	1	1						
30	2	114650-02100	BEARING, MAIN	1	1						1
32	1	114250-35150	PIPE, INLET	1	1						
33	1	26106-080352	BOLT, 8 X 35	16	16						
34	1	105425-01690	PLUG, DRAIN 16	2	2						
35	1	114699-01760	CAP ASSY, L/O.SUPPLY	2	2						
37	2	114299-01950	O-RING	2	2						
38	1	22190-160002	WASHER, SEAL 16	2	2						
39	1	114350-01700	COVER, STARTER	1							
40	1	26106-100122	BOLT, 10 X 12	2							
41	1	114299-02030	RETAINER, BEARING	1	1						
42	1	114650-02150	BEARING, HR6308G,3	1	1						
43	1	24162-152220	NEEDLE, 152220	1	1						
44	1	24423-355008	SEAL, TC355008	1	1						
45	1	24423-355008	SEAL, TC355008	1	1						
46	1	26106-080122	BOLT, 8 X 12	1	1						
47	1	23876-010000	PLUG, R01	1	1						
48	1	114650-02200	MAIN BEARING US=0.25	1	1						2
49	1	114650-02210	MAIN BEARING US=0.50	1	1						3

Remarks

- (1)REPAIR PART.
- (2)UNDER SIZED(U.S.=0.25)PART.
- (3)UNDER SIZED(U.S.=0.50)PART.

Fig.2. CYLINDER HEAD & BONNET

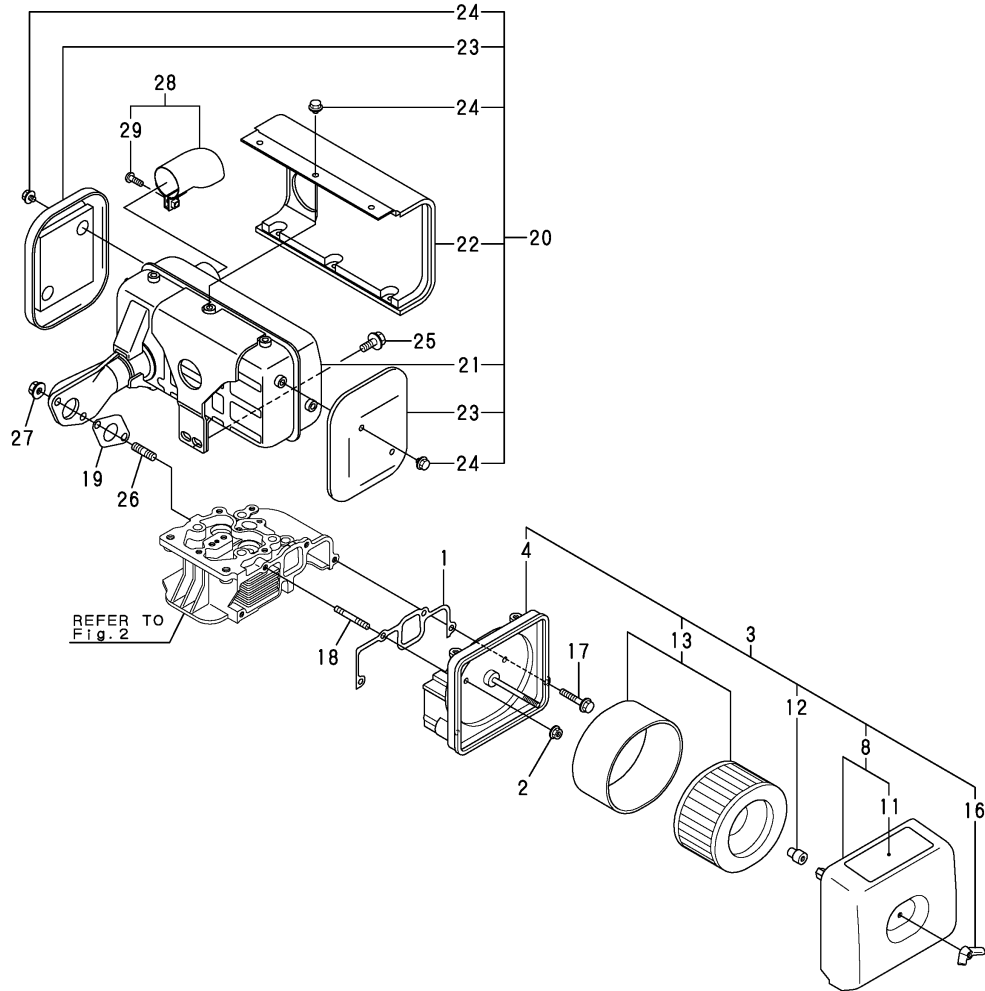


(A)=L100N6-MTM  
(B)=L100N6-METMR  
(C)=

(D)=  
(E)=  
(F)=

REF.	LEV.	PARTS NO.	DESCRIPTION	Q'TY						I	R
				(A)	(B)	(C)	(D)	(E)	(F)		
1	1	114310-01200	BOLT, CYL.HEAD A	2	2						
2	1	114310-01210	BOLT, CYL.HEAD B	2	2						
3	1	114320-11020	HEAD ASSY, CYLINDER	1	1						
8	1	114310-11100	VALVE, INTAKE	1	1						
9	1	114310-11110	VALVE, EXHAUST	1	1						
10	1	114310-11120	SPRING, VALVE	2	2						
11	1	114310-11180	RETAINER, SPRING	2	2						
12	1	114310-11930	COTTER ASSY	2	2						
14	1	114310-11250	SUPPORT ASSY, ROCKER	1	1						
15	2	114310-11260	SUPPORT, ROCKER ARM	1	1						
16	2	114310-11280	C TYPE RETAINING RIN	2	2						
17	2	114310-11650	ARM ASSY, INTAKE	1	1						
19	3	114299-11240	SCREW, ADJUSTING	1	1						
20	3	26856-060002	NUT, 6	1	1						
21	2	114310-11660	ARM ASSY, EXHAUST	1	1						
23	3	114299-11240	SCREW, ADJUSTING	1	1						
24	3	26856-060002	NUT, 6	1	1						
25	1	114650-11340	SEAL, VALVE STEM	2	2						
26	1	104211-11370	CAP, VALVE	2	2						
27	1	114339-11451	PROTECTOR, NOZZLE	1	1						
28	1	114339-11551	SEAT, NOZZLE	1	1						
29	1	114650-11600	WASHER, VALVE SPRING	2	2						
30	1	114210-11901	RETAINER, NOZZLE	1	1						
31	1	22351-040008	PIN, 4.0A X 8	1	1						
32	1	26106-080502	BOLT, 8 X 50	2	2						
33	1	26226-060552	STUD,BOLT 6 X 55	2	2						
34	1	26366-060002	NUT, 6	2	2						
35	1	114310-11310	GASKET, BONNET	1	1						
36	1	114310-11950	BONNET ASSY, HEAD	1	1						
38	2	114210-03590	SHAFT ASSY, DECOMP.	1	1						
41	2	114299-03640	SPRING, DECOMP.	1	1						
43	2	22312-030160	PIN, 3 X 16	1	1						
47	1	26106-060652	BOLT, 6 X 65	3	3						

Fig.3. AIR CLEANER & MUFFLER



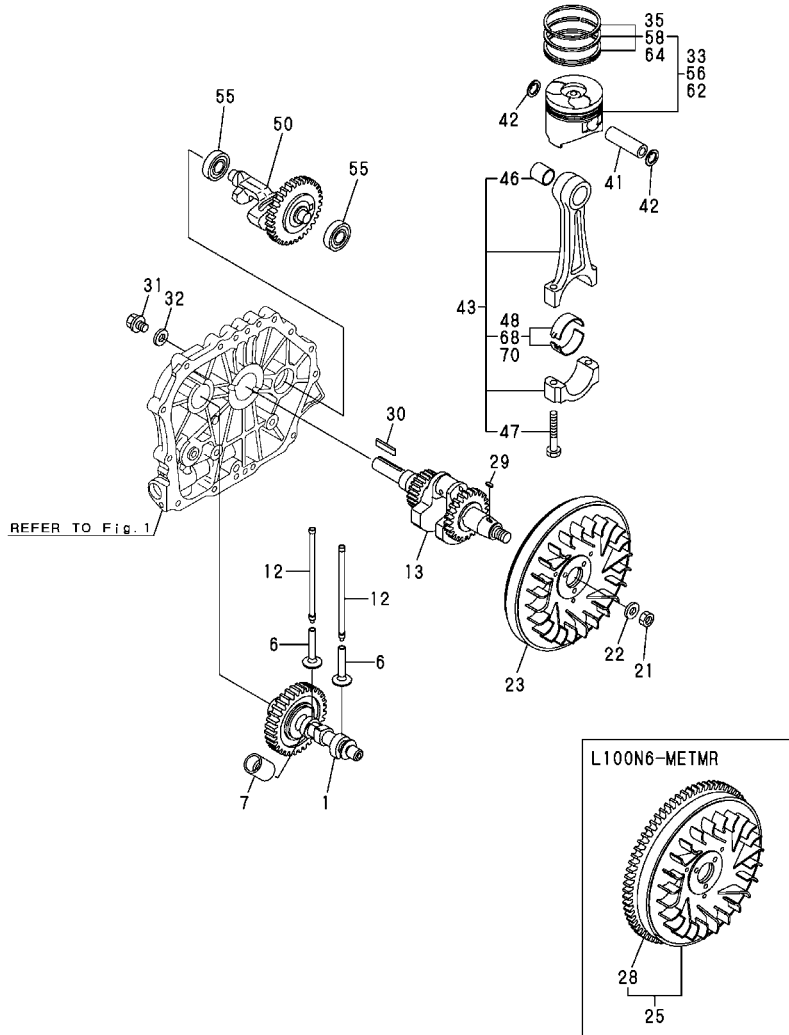
Y00R7080 3. AIR CLEANER & MUFFLER

(A)=L100N6-MTM  
(B)=L100N6-METMR  
(C)=

(D)=  
(E)=  
(F)=

REF.	LEV.	PARTS NO.	DESCRIPTION	Q'TY						I	R
				(A)	(B)	(C)	(D)	(E)	(F)		
1	1	114310-12210	GASKET, AIR CLEANER	1	1						
2	1	114250-12300	NUT	3	3						
3	1	114310-12511	CLEANER ASSY, AIR	1	1						
4	2	114310-12010	BODY ASSY, AIR CLNR	1	1						
8	2	114210-12500	COVER ASSY, AIR CLNR	1	1						
11	3	114210-12610	LABEL, AIR CLEANER	1	1						
12	2	114210-12560	NUT, WING	1	1						
13	2	114210-12590	ELEMENT ASSY	1	1						
16	2	114210-12600	LOCKING KNOB	1	1						
17	1	26106-060352	BOLT, 6 X 35	1	1						
18	1	26226-060352	STUD,BOLT 6 X 35	3	3						
19	1	114310-13200	GASKET, MUFFLER	1	1						
20	1	11431C-13550	MUFFLER ASSY	1	1						
21	2	11431C-13560	MUFFLER	1	1						
22	2	11431C-13700	COVER, MUFFLER A	1	1						
23	2	11431C-13710	COVER, MUFFLER B	2	2						
24	2	11431C-13720	BOLT, M6X6 FLANGE	10	10						
25	1	26106-080202	BOLT, 8 X 20	2	2						
26	1	26216-080182	STUD,BOLT 8 X 18	2	2						
27	1	26306-080002	NUT, 8	2	2						
28	1	114658-13800	PIPE ASSY, EXHAUST	1	1						
29	2	26554-060182	SCREW M 6X 18	1	1						

Fig.4. CRANKSHAFT, PISTON & CAMSHAFT



Y00R7080 4. CRANKSHAFT, PISTON & CAMSHAFT

(A)=L100N6-MTM  
(B)=L100N6-METMR  
(C)=

(D)=  
(E)=  
(F)=

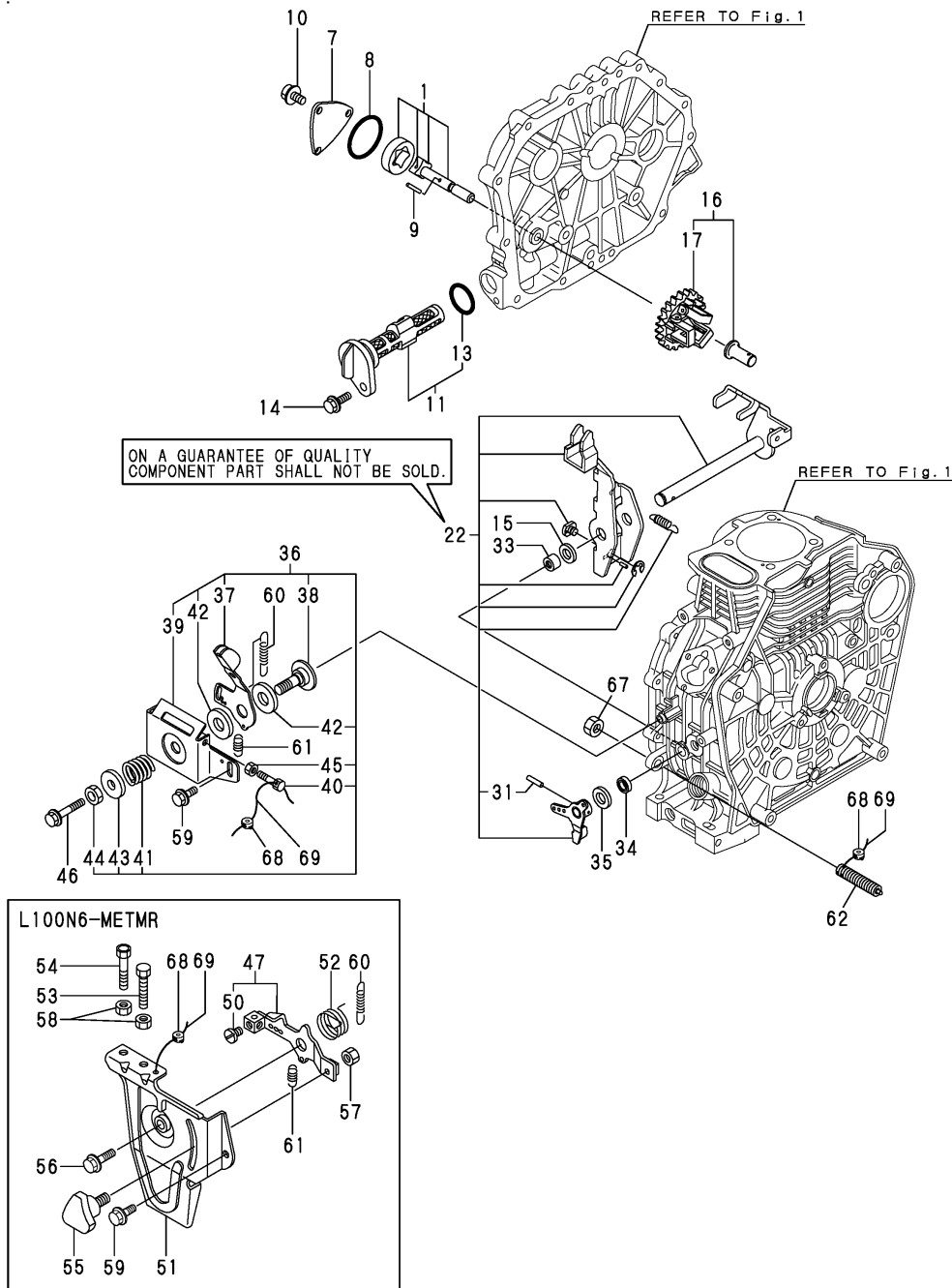
REF.	LEV.	PARTS NO.	DESCRIPTION	Q'TY						I	R
				(A)	(B)	(C)	(D)	(E)	(F)		
1	1	71432C-14010	CAMSHAFT ASSY	1	1						
6	1	114310-14200	TAPPET	2	2						
7	1	114210-14300	TAPPET ASSY, ROLLER	1	1						
12	1	114310-14400	ROD ASSY, PUSH	2	2						
13	1	71431C-21030	CRANKSHAFT(E-D ASSY	1	1						
21	1	122710-01220	NUT M18	1	1						
22	1	114650-21551	WASHER, FLYWHEEL	1	1						
23	1	11431C-21420	FLYWHEEL, D/DE	1							
25	1	11431C-21590	FLYWHEEL ASSY, DE		1						
28	2	11431C-21600	GEAR, RING D		1						
29	1	22512-050140	KEY, 5 X 14	1	1						
30	1	160842-21150	KEY, 6.3X50	1	1						
31	1	160842-21250	BOLT, M7/16-20UNF	1	1						
32	1	160842-21260	WASHER, PULLEY	1	1						
33	1	714320-22720	PISTON W/RINGS (D	1	1						
35	2	714310-22500	RING SET, PISTON	1	1						
41	1	114699-22300	PIN, PISTON	1	1						
42	1	129792-22400	CIRCLIP, C23	2	2						
43	1	71431C-23010	ROD ASSY, CONNECTING	1	1						
46	3	124060-23100	BUSH, PISTON PIN	1	1						
47	3	119810-23200	BOLT, CONNECTING ROD	2	2						
48	2	714650-23600	BEARING, CRANKPIN	1	1						
50	1	714310-28510	SHAFT ASSY, BALANCER	1	1						
55	1	24101-063040	BEARING, 6304 C3	2	2						
56	1	714320-22620	PISTON W/RING OS=.25	1	1						1
58	2	714310-22540	RING SET O.S.=0.25	1	1						1
62	1	714320-22580	PISTON W/RING OS=0.5	1	1						2
64	2	714310-22550	RING SET O.S.=0.50	1	1						2
68	1	714650-23610	BEARING,PIN(U.S.=0.25	1	1						3
70	1	714650-23620	BEARING,PIN(U.S.=0.50	1	1						4

Remarks  
 (1)OVER SIZED(O.S.=0.25)PART.  
 (2)OVER SIZED(O.S.=0.50)PART.  
 (3)UNDER SIZED(U.S.=0.25)PART.  
 (4)UNDER SIZED(U.S.=0.50)PART.

Fig.5. LUB.OIL PUMP & GOVERNOR

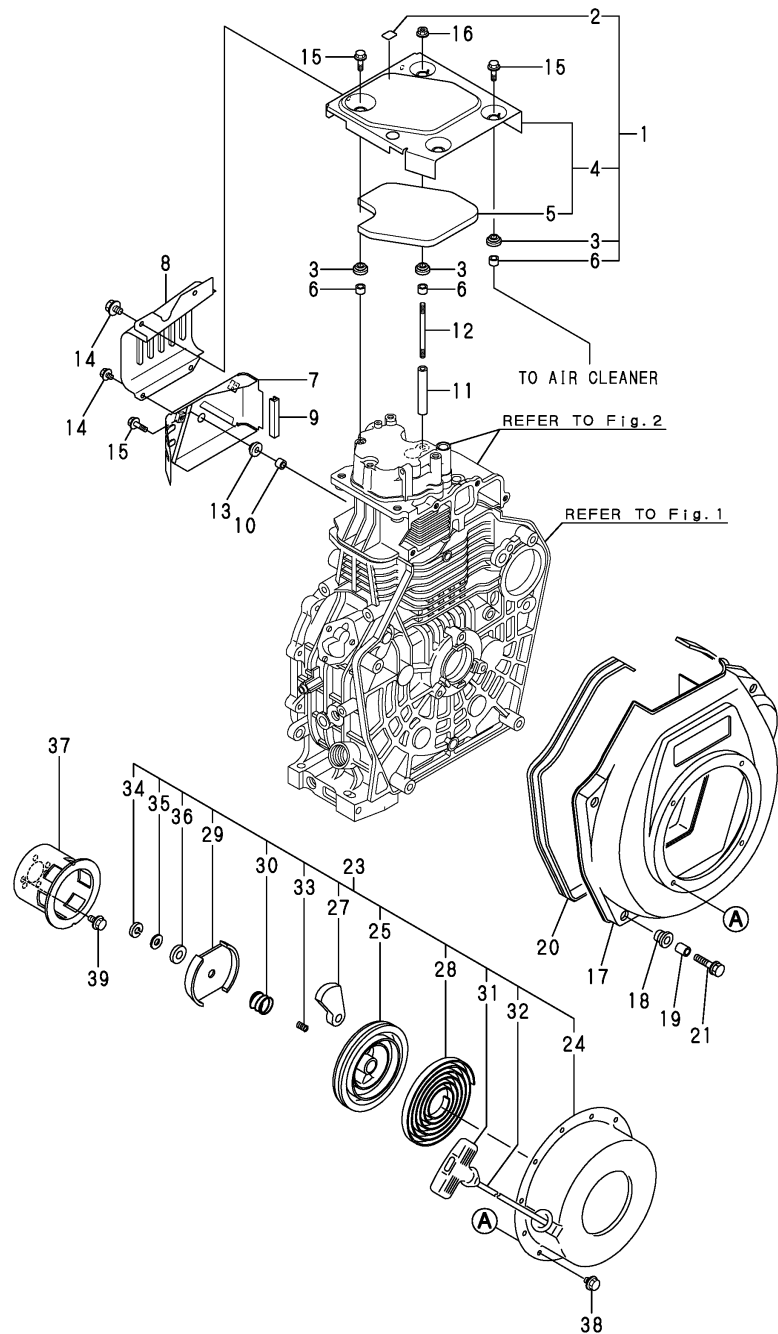
(A)=L100N6-MTM  
(B)=L100N6-METMR  
(C)=

(D)=  
(E)=  
(F)=



REF.	LEV.	PARTS NO.	DESCRIPTION	Q'TY						I	R
				(A)	(B)	(C)	(D)	(E)	(F)		
1	1	114650-32010	PUMP ASSY, LUB.OIL	1	1						
7	1	114250-32070	COVER, LUB.OIL PUMP	1	1						
8	1	103338-32570	O-RING, PUMP COVER	1	1						
9	1	22312-030160	PIN, 3 X 16	1	1						
10	1	26106-060122	BOLT, 6 X 12	3	3						
11	1	114250-35110	FILTER ASSY, LUB.OIL	1	1						
13	2	24341-000224	PACKING, S 22.4	1	1						
14	1	26106-060162	BOLT, 6 X 16	1	1						
15	1	114770-61190	WASHER, GOVERNOR	1	1						
16	1	714210-61700	GOVERNOR ASSY	1	1						
17	2	114210-61290	WEIGHT ASSY,GOVERNOR	1	1						
22	1	114311-61500	LEVER ASSY, GOVERNOR	1	1						
31	2	22322-030200	PIN, 3 X 20	1	1						
33	1	114770-61520	BEARING	2	2						
34	1	114770-61600	SEAL, OIL	1	1						
35	1	114770-61610	WASHER, THRUST	1	1						
36	1	114210-66550	BRACKET CMP,REGULATO	1							
37	2	114210-66070	HANDLE, REGULATOR	1							
38	2	183250-66070	SHAFT, HANDLE	1							
39	2	114210-66400	BRACKET, HANDLE	1							
40	2	114250-66440	BOLT, ADJUSTING	1							
41	2	104200-66820	SPRING, HANDLE	1							
42	2	104200-66831	PLATE, FRICTION	2							
43	2	104200-66850	WASHER, B	1							
44	2	26696-100002	NUT, 10	1							
45	2	26757-060002	NUT, 6	1							
46	1	26106-060452	BOLT, 6 X 45	1							
47	1	114210-66060	HANDLE ASY,REGULATOR		1						
50	2	26117-050089	BOLT, 5 X 8		1						
51	1	114210-66100	BRACKET, REGULATOR		1						
52	1	114252-66252	SPRING, RETURN		1						
53	1	114250-66440	BOLT, ADJUSTING		1						
54	1	102100-67080	BOLT, ADJUSTING		1						
55	1	160725-78350	BOLT, KNOB M6X15		1						
56	1	26106-060202	BOLT, 6 X 20		1						
57	1	26347-060002	U-NUT, 6		1						
58	1	26757-060002	NUT, 6		2						
59	1	26106-060142	BOLT M 6X 14 PLATED	1	1						
60	1	114320-66010	SPRING, REGULATOR	1	1						
61	1	114250-66200	SPRING, RETURN	1	1						
62	1	114320-66600	LIMITER ASSY, FUEL	1	1						
67	1	26776-100002	NUT, 10	1	1						
68	1	114780-61090	TIN	2	2						
69	1	22451-060000	WIRE, 0.6	2	2						

Fig.6. COOLING & STARTING DEVICE

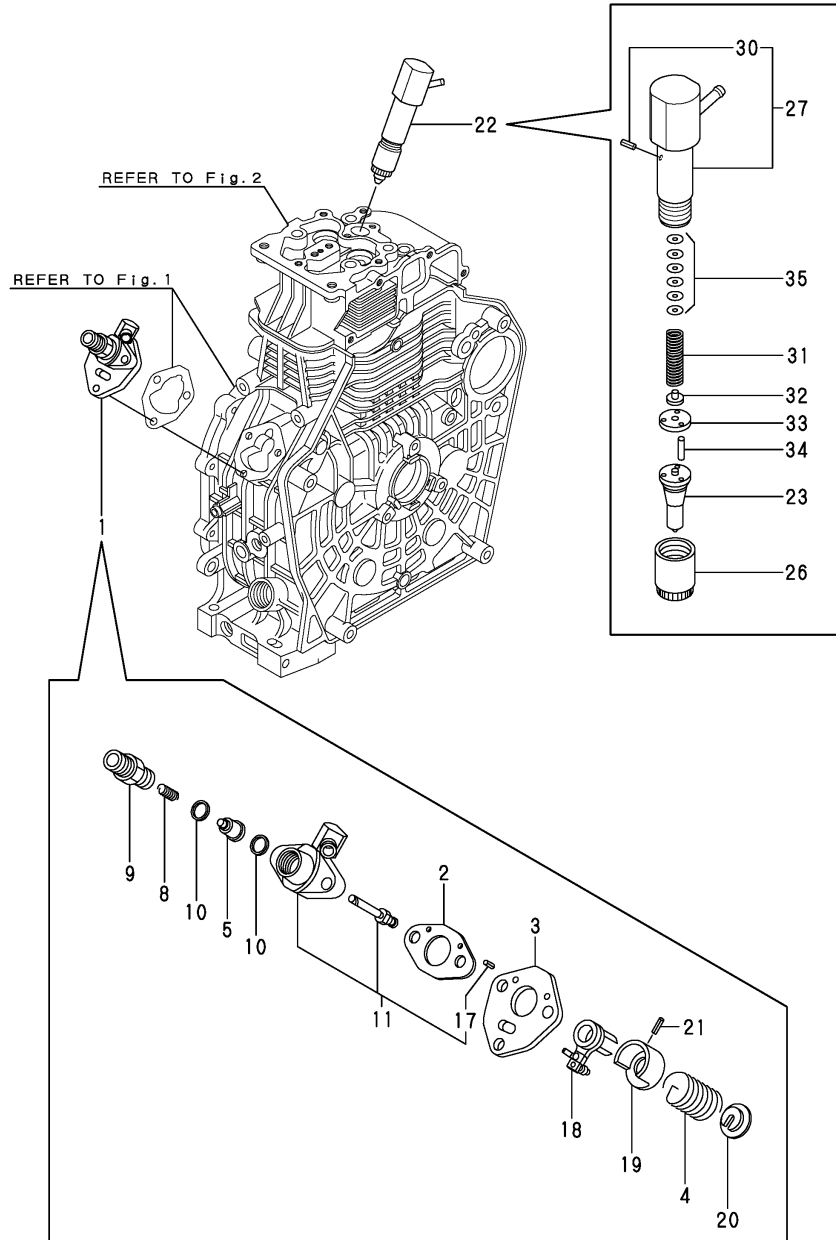


(A)=L100N6-MTM  
(B)=L100N6-METMR  
(C)=

(D)=  
(E)=  
(F)=

REF.	LEV.	PARTS NO.	DESCRIPTION	Q'TY						I	R
				(A)	(B)	(C)	(D)	(E)	(F)		
1	1	714310-45100	TOP COVER, ASSY	1	1						
2	2	114210-07200	LABEL, DECOMPRESSION	1	1						
3	2	114299-45220	GROMMET, TANK	4	4						
4	2	114310-45300	COVER, TOP(BLACK)(13)	1	1						
5	3	114310-45310	DAMPER	1	1						
6	2	114399-45340	COLLAR, CYL COVER	4	4						
7	1	114310-45260	COVER B, SIDE (13)	1	1						
8	1	114310-45270	COVER A, SIDE (13)	1	1						
9	1	114350-45320	RUBBER, SEAL	1	1						
10	1	114350-45340	COLLAR, CYL COVER	1	1						
11	1	114310-45350	SPACER, TOP COVER	1	1						
12	1	114310-45360	STUD BOLT, TOP COVER	1	1						
13	1	183720-55210	GROMMET, TANK	1	1						
14	1	26106-060082	BOLT, 6 X 8	4	4						
15	1	26106-060202	BOLT, 6 X 20	4	4						
16	1	26366-060002	NUT, 6	1	1						
17	1	114310-45100-1	FAN CASE (GRAY)(2K)	1	1						
18	1	114250-45301	RUBBER, CUSHION	4	4						
19	1	114250-45310	COLLAR, FAN CASE	4	4						
20	1	114650-45330	SEAL, FAN CASE	1	1						
21	1	114370-45351	BOLT, FAN CASE	4	4						
23	1	114699-76251	STARTER ASSY, RECOIL	1	1						
24	2	114699-76510	CASE, STARTER	1	1						
25	2	114699-76521	REEL, RECOIL	1	1						
27	2	114699-76531	RATCHET	2	2						
28	2	114399-76540	SPRING, SPIRAL	1	1						
29	2	114699-76551	GUIDE, RATCHET	1	1						
30	2	114699-76560	SPRING, FRICTION	1	1						
31	2	114399-76620	KNOB, STARTER	1	1						
32	2	114699-76630	ROPE, STARTER	1	1						
33	2	114699-76650	SPRING, COMPRESSION	1	1						
34	2	114699-76660	RING, RETAINING	1	1						
35	2	114699-76670	WASHER	1	1						
36	2	114699-76680	WASHER	1	1						
37	1	114699-76592	PULLEY, STARTER	1	1						
38	1	26106-060082	BOLT, 6 X 8	4	4						
39	1	26106-060122	BOLT, 6 X 12	3	3						

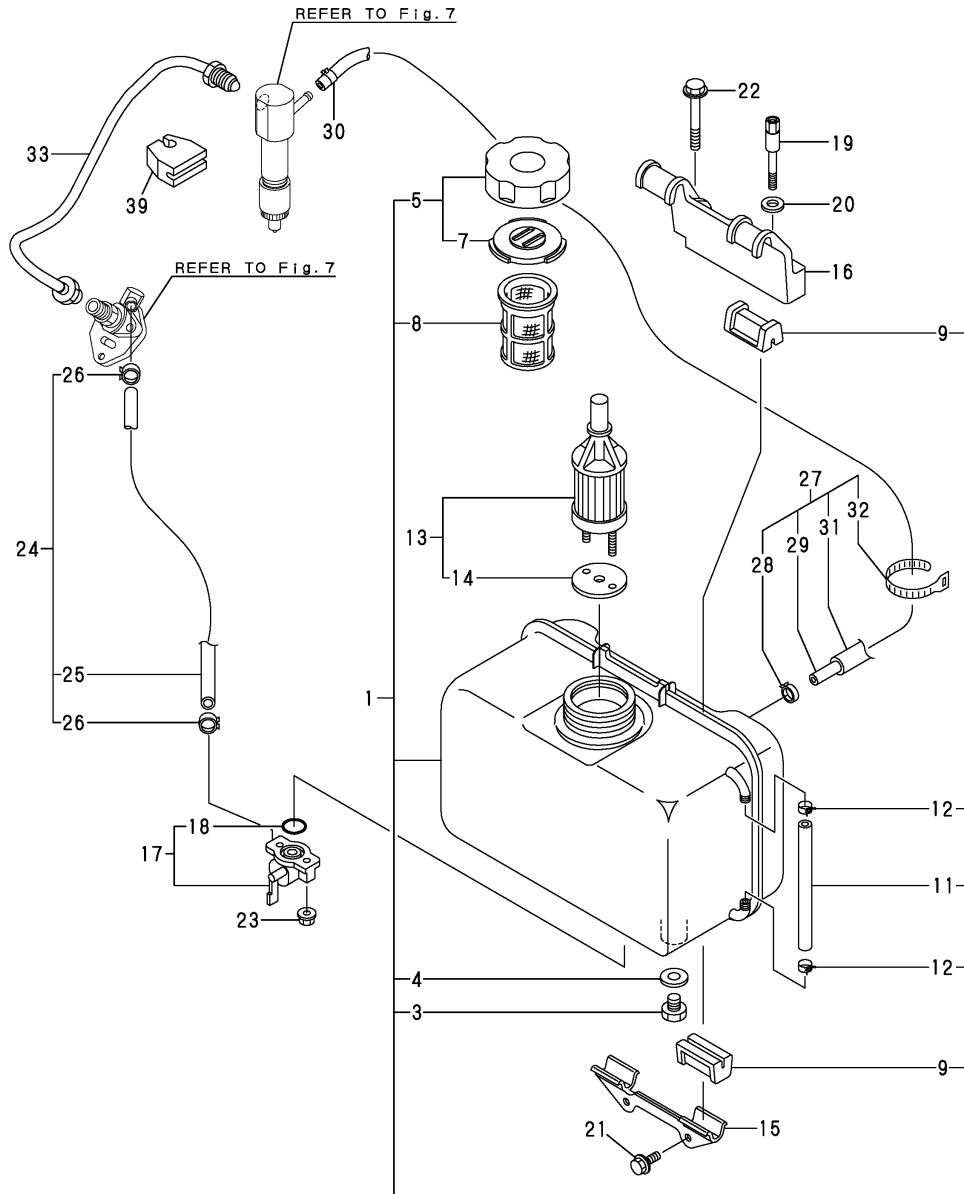
Fig.7. FUEL INJECTION PUMP & FUEL INJECTION VALVE



(A)=L100N6-MTM (D)=  
 (B)=L100N6-METMR (E)=  
 (C)= (F)=

REF.	LEV.	PARTS NO.	DESCRIPTION	Q'TY						I	R
				(A)	(B)	(C)	(D)	(E)	(F)		
1	1	714339-51400	F.I.PUMP ASSY	1	1						
2	2	105546-51020	GASKET, PUMP BODY	1	1						
3	2	114250-51080	PLATE	1	1						
4	2	114250-51160	SPRING, PLUNGER	1	1						
5	2	114650-51300	VALVE ASSY, DELIVERY	1	1						
8	2	105546-51330	SPRING, VALVE	1	1						
9	2	114250-51340	HOLDER, DELIVERY	1	1						
10	2	124550-51350	PACKING, DELIVERY	2	2						
11	2	114339-51400	BODY ASSY,FOP	1	1						
17	4	22351-020006	PIN, 2.0A X 6	2	2						
18	2	114250-51600	LEVER, CONTROL	1	1						
19	2	114250-51640	SEAT, SPRING	1	1						
20	2	114250-51650	SEAT, SPRING	1	1						
21	2	22351-030008	PIN, 3.0A X 8	1	1						
22	1	714339-53100	FUEL INJECTOR	1	1						
23	2	114339-53050	NOZZLE ASSY	1	1						
26	2	114250-53080	NUT,NOZZLE	1	1						
27	2	114339-53100	HOLDER ASSY, NOZZLE	1	1						
30	3	22351-025005	PIN, 2.5A X 5	1	1						
31	2	114250-53120	SPRING,NOZZLE	1	1						
32	2	114250-53130	SEAT,SPRING	1	1						
33	2	114250-53140	SPACER,VALVE STOP	1	1						
34	2	114250-53210	PIN	2	2						
35	2	114250-53400	SHIM SET	1	1						

Fig.8. FUEL TANK & FUEL PIPE



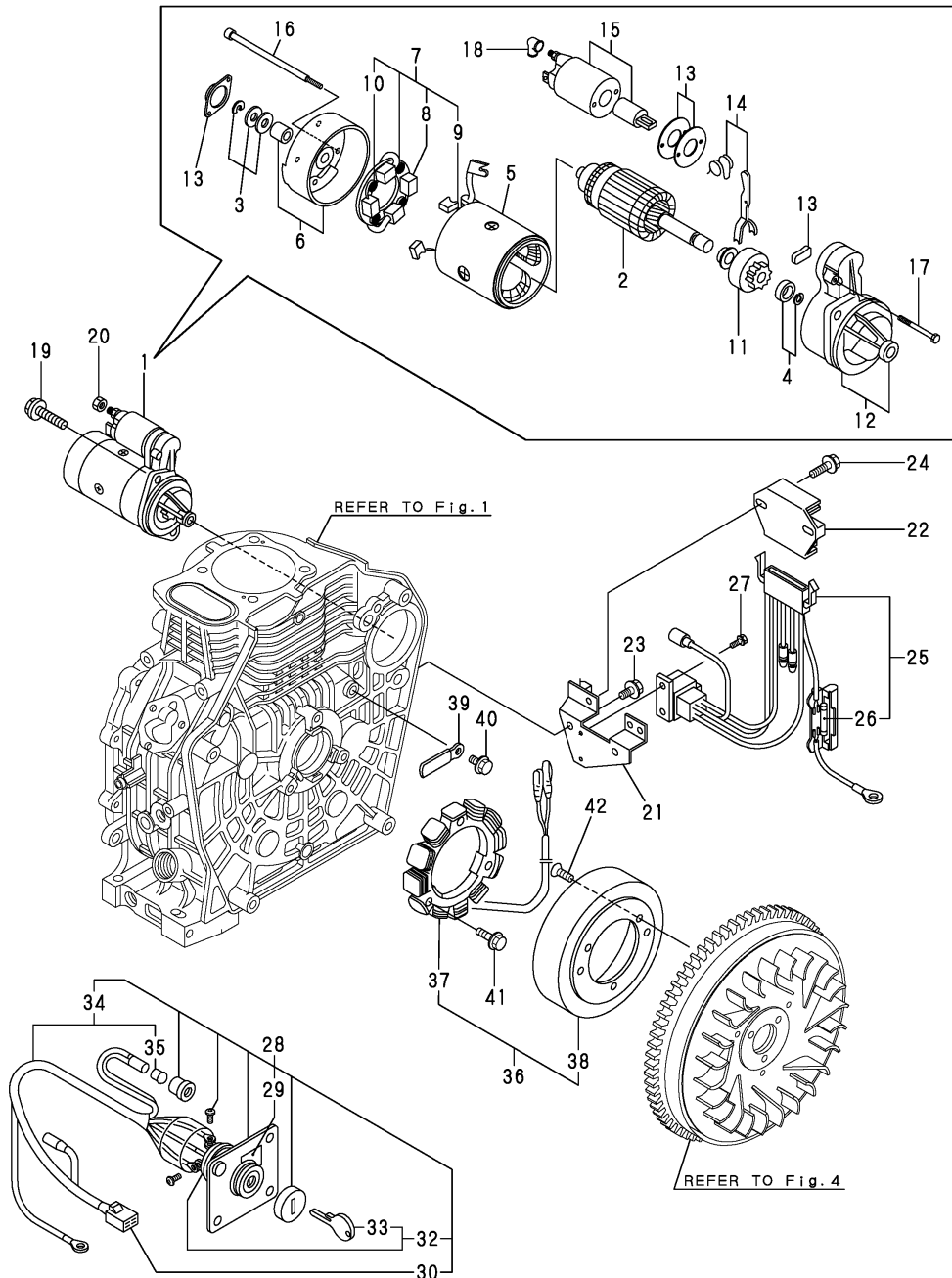
(A)=L100N6-MTM  
(B)=L100N6-METMR  
(C)=

(D)=  
(E)=  
(F)=

REF.	LEV.	PARTS NO.	DESCRIPTION	Q'TY						I	R
				(A)	(B)	(C)	(D)	(E)	(F)		
1	1	714339-55020	TANK CMP, FUEL (13)	1	1						
3	3	114299-55080	PLUG, DRAIN	1	1						
4	3	23414-080000	GASKET, 8 X 1.0	1	1						
5	2	114288-55041	CAP ASSY, FUEL TANK	1	1						
7	3	114288-55081	VALVE, FUEL OIL CAP	1	1						
8	2	114250-55100	FILTER, FUEL OIL	1	1						
9	2	114250-55201	DAMPER, FUEL TANK	4	4						
11	2	114339-55150	PIPE, GAUGE	1	1						
12	2	23080-007000	CLAMP, HOSE 7	2	2						
13	1	114250-55121	FILTER ASSY, FUEL OIL	1	1						
14	2	114250-55130	GASKET	1	1						
15	1	114210-55210	STAY A, FUEL TANK	1	1						
16	1	114310-55230	STAY B, FUEL TANK	1	1						
17	1	114250-55301	COCK, FUEL OIL	1	1						
18	2	24341-000150	PACKING, S 15.0	1	1						
19	1	114210-55810	BOLT, LIFTING	1	1						
20	1	22117-080000	WASHER, 8	1	1						
21	1	26106-060162	BOLT, 6 X 16	2	2						
22	1	26106-080452	BOLT, 8 X 45	1	1						
23	1	26366-060002	NUT, 6	2	2						
24	1	114780-59010	PIPE ASSY, FUEL OIL	1	1						
25	2	114780-59060	PIPE, FUEL OIL	1	1						
26	2	23080-014000	CLAMP, HOSE 14	2	2						
27	1	114339-59300	PIPE ASSY, RETURN	1	1						
28	2	124722-59050	CLAMP, 9	1	1						
29	2	114310-59060	PIPE, FUEL RETURN	1	1						
30	2	124066-59100	CLIP, HOSE 8	1	1						
31	2	114310-59310	TUBE, PROTECTOR	1	1						
32	2	121750-59890	CLAMP, NYLON 140	1	1						
33	1	114310-59800	PIPE, FUEL INJECTION	1	1						
39	1	114650-59850	SUPPORT, PIPE	1	1						



Fig.9. STARTING MOTOR & DYNAMO

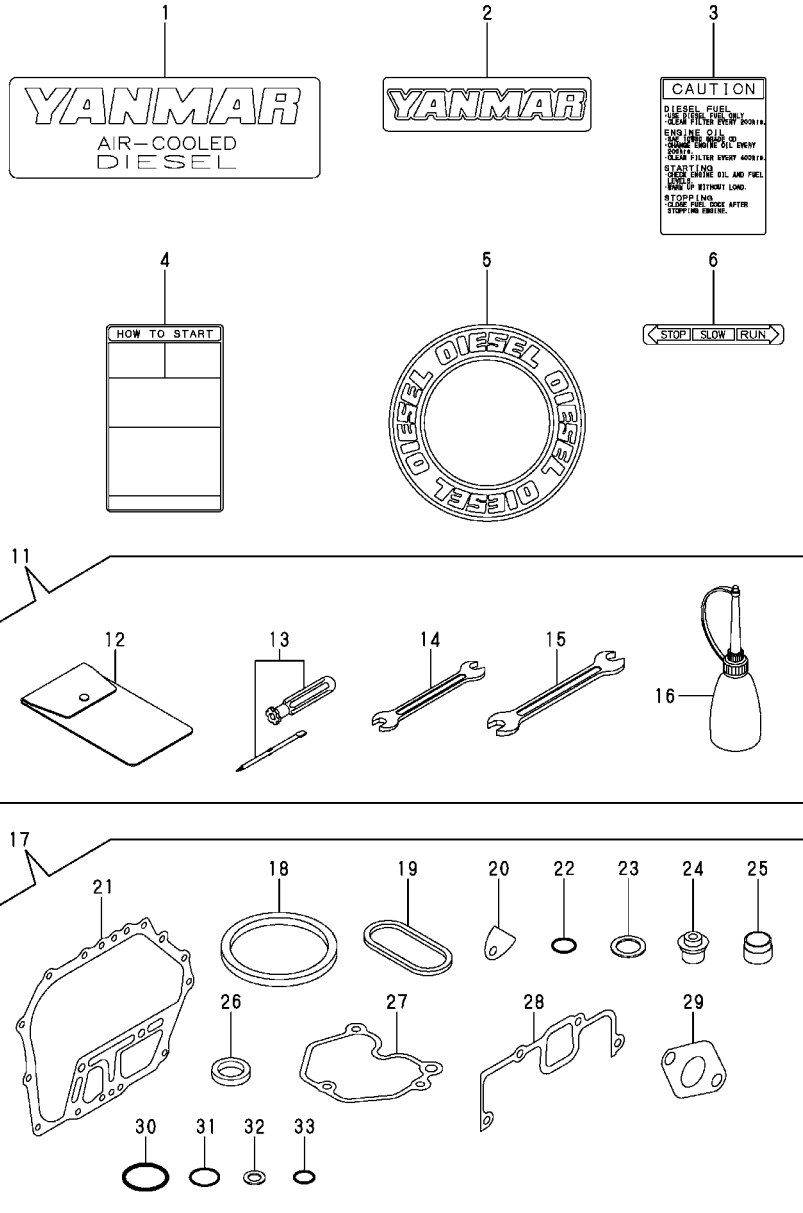


(A)=L100N6-MTM  
(B)=L100N6-METMR  
(C)=

(D)=  
(E)=  
(F)=

REF.	LEV.	PARTS NO.	DESCRIPTION	Q'TY						I	R
				(A)	(B)	(C)	(D)	(E)	(F)		
1	1	114362-77011	STARTER(HITACHI 12V		1						
2	2	114381-77110	ARMATURE		1						
3	2	X2114811000	WASHER KIT, THRUST		1						
4	2	X2114715500	STOPPER SET, PINION		1						
5	2	114381-77130	COIL ASSY, FIELD		1						
6	2	114381-77140	COVER, REAR		1						
7	2	114371-77160	HOLDER ASSY, BRUSH		1						
8	3	114371-79040	BRUSH (-)		2						
9	3	114371-79050	BRUSH (+)		1						
10	3	114371-79060	SPRING, BRUSH		4						
11	2	X211485016	PINION ASSY		1						
12	2	114381-77151	HOUSING ASSY, GEAR		1						
13	2	114371-77170	COVER KIT, DUST		1						
14	2	114371-77180	SHIFT LEVER KIT		1						
15	2	124298-77020	SWITCH, MAGNET		1						
16	2	124195-77770	THROUGH BOLT		2						
17	2	114371-79070	BOLT M 6X 37		2						
18	2	X2114274200	COVER, TERMINAL		1						
19	1	26106-100302	BOLT, 10 X 30		2						
20	1	26716-080002	NUT, 8		1						
21	1	114385-77400	BRACKET, HARNESS		1						
22	1	119660-77710	LIMITER, CURRENT 15A		1						
23	1	26106-060122	BOLT, 6 X 12		2						
24	1	26106-060202	BOLT, 6 X 20		2						
25	1	114351-77540	HARNESS, WIRE		1						
26	2	29411-200000	FUSE, 20A		2						
27	1	26023-040102	SCREW, 4 X 10		2						
28	1	114351-77500	PANEL ASSY, SWITCH		1						
29	2	105198-07120	LABEL, START SWITCH		1						
30	2	114351-77520	COUPLER		1						
32	2	106100-77620	SWITCH, KEY		1						
33	3	106100-77630	KEY, STARTER		1						
34	2	114351-77700	HARNESS, WIRE		1						
35	3	29220-083200	BULB, 12V 3.4W		1						
36	1	114351-78290	DINAMO ASSY, 180		1						
37	2	114351-78830	STATOR ASSY		1						
38	2	114351-78840	WHEEL, DYNAMO		1						
39	1	160710-78710	CLAMP, CORD		1						
40	1	26106-060122	BOLT, 6 X 12		1						
41	1	26106-060202	BOLT, 6 X 20		3						
42	1	26577-060142	SCREW, 6 X 14		3						

Fig.10. TOOL, LABEL & GASKET SET



Remarks  
(1)OPTIONAL

(A)=L100N6-MTM  
(B)=L100N6-METMR  
(C)=

(D)=  
(E)=  
(F)=

REF.	LEV.	PARTS NO.	DESCRIPTION	Q'TY						I	R
				(A)	(B)	(C)	(D)	(E)	(F)		
1	1	114250-07090	LABEL, YANMAR MARK A	1	1						
2	1	114250-07111	LABEL, YANMAR MARK B	1	1						
3	1	114210-07120	LABEL, CAUTION	1	1						
4	1	114210-07130	LABEL HOW TO START-E	1	1						
5	1	114261-07350	LABEL, YANMAR	1	1						
6	1	183250-07230	LABEL, OPERATION	1							
11	1	714250-92100	TOOL ASSY	1	1						
12	2	114250-92600	BAG, TOOL	1	1						
13	2	160330-92730	DRIVER, +	1	1						
14	2	28110-100120	SPANNER, 10 X 12	1	1						
15	2	28110-140170	SPANNER, 14 X 17	1	1						
16	2	28210-000150	OILER	1	1						
17	1	714339-92600	GASKET SET(NON-ASB.)	1	1						1
18	2	114651-01340	GASKET, HEAD 0.5	1	1						
19	2	114650-01380	O-RING, TAPPET	1	1						
20	2	114250-01841	GASKET, COVER	1	1						
21	2	114650-01412	GASKET, CRANK CASE	1	1						
22	2	114299-01950	O-RING	2	2						
23	2	22190-160002	WASHER, SEAL 16	2	2						
24	2	114650-11340	SEAL, VALVE STEM	2	2						
25	2	114339-11451	PROTECTOR, NOZZLE	1	1						
26	2	114339-11551	SEAT, NOZZLE	1	1						
27	2	114310-11310	GASKET, BONNET	1	1						
28	2	114310-12210	GASKET, AIR CLEANER	1	1						
29	2	114310-13200	GASKET, MUFFLER	1	1						
30	2	103338-32570	O-RING, PUMP COVER	1	1						
31	2	24341-000224	PACKING, S 22.4	1	1						
32	2	23414-080000	GASKET, 8 X 1.0	1	1						
33	2	24341-000150	PACKING, S 15.0	1	1						